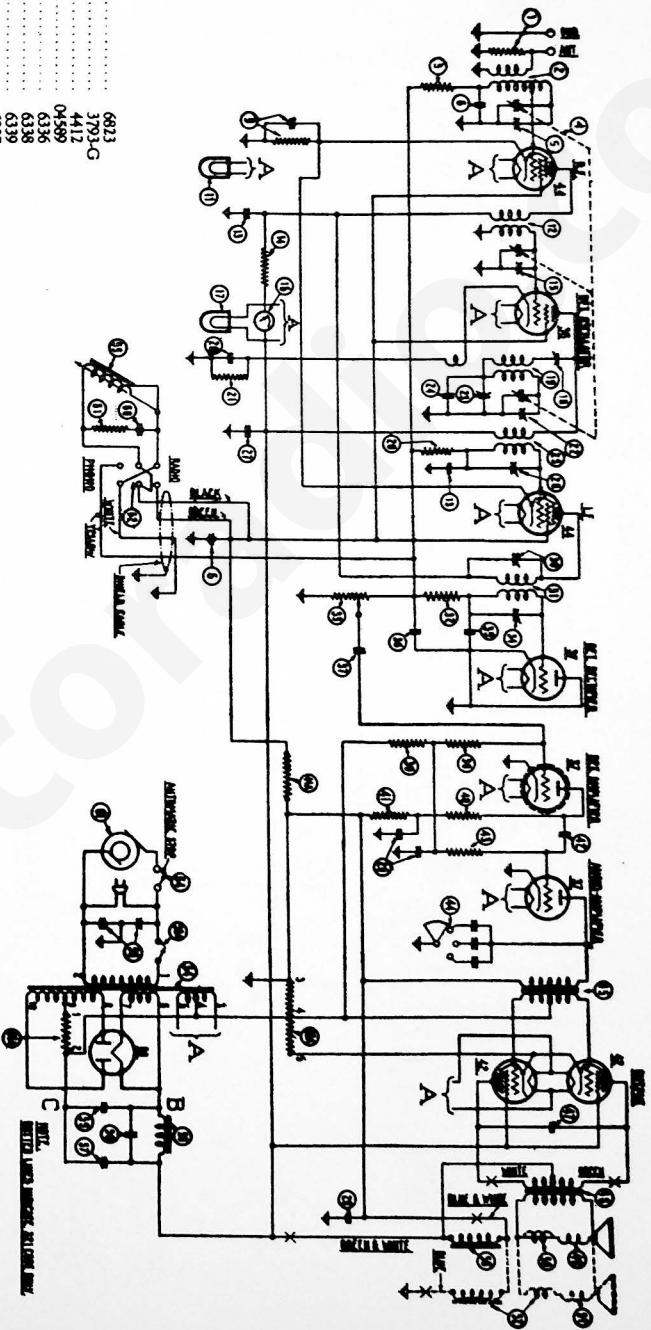


# Model 23X Radio-Phonograph.



- (60) Electric Pickup ..... 6823
- (61) Condenser (.015 Mfd.) ..... 3793-G
- (62) Resistor 10,000 ohms ..... 4412
- (63) Radio-phonograph switch ..... 04589
- (64) Motor (115 volts 60 cycles) ..... 6336
- Motor (115 volts 50 cycles) ..... 6338
- Motor (115 volts 40 cycles) ..... 6339
- Motor (115 volts 25 cycles) ..... 6337
- Motor (230 volts 60 cycles) ..... 6340
- Motor (230 volts 50 cycles) ..... 6341
- Motor (230 volts 40 cycles) ..... 6342
- Motor (230 volts 25 cycles) ..... 6343
- Motor Switch ..... 6345
- Needle Screw ..... 4108
- Tone Arm complete with pickup ..... 6824
- Switch plate ..... 6444
- Switch Indicator ..... 4227
- Switch knob ..... 03437
- Needle Cup (2 used) ..... 4101
- Used Needle Cup ..... 4102
- Motor Speed Indicator Plate ..... 6347
- Turntable ..... 6344
- Cord Connector Plug ..... 4091
- Cord Connector Assembly ..... 4124-A
- Rubber Washer (4 used for motor board) ..... 4074

The model 23X has the same radio chassis as the model 91-221 except for the additional wiring of the phonograph equipment.